

MODIFICATIONS

REV	MOD No.	DATE	APPR'D	DESCRIPTION OF CHANGE
1		17/02/99		FIRST PRODUCTION ISSUE
2	12760	18/3/2		FAN MOTOR LABEL 'W(BL)' WAS 'W'
3	12853	09/09/02		HP SW. AUTO SPST ADDED
4	12853	04/02/03		POSITION OF HP SWITCH CHANGED
5	12839F	08/08/05		3 MIN BYPASS 04000499 REPLACED BY 04001023.
6	-	15/03/06		FAN MOTOR WIRING CHANGED, 'R' WIRE REMOVED & 'BL' WAS 'W(BL)'
7	-	18/07/06		ISOLATOR OPTION ADDED
8	-	02/12/11		MOTOR FOR TWIN UNIT ONLY ADDED
9	-	02/04/12		WIRING MOD ON CSR KIT
10	-	12/11/2013		FAN SPEED CONTROLLER CHANGED
11	-	02/12/2015		IP65 FAN MOTOR ADDED TO OPTIONS
12		04/11/15		CHANGED TO SUIT CKC ALSO REFERENCE TO BOTH FSC ADDED
13		15/02/16		XGE-4C FSC ADDED
14		12/07/16		AJ ² COMPRESSOR ADDED
15		27/02/17		FUSE RATINGS REMOVED
16		19/10/18		VIOLET LABEL CHANGED

NOTES.

1. BACKGROUND COLOUR TO BE IN WHITE.
2. ALL PRINTING TO BE IN BLACK.
3. ADHESIVE TO BE A PERMANENT TYPE SUITABLE FOR ADHESION TO A PAINTED SURFACE (SPECIFICATION No. DURO-D 130).
4. PRINTED SURFACES TO HAVE A WEATHERPROOF PROTECTIVE COVERING.
5. ALTERATION OF THIS DRAWING WILL AFFECT ELECTRICAL SCHEMATIC WIRING DIAGRAM 55008263 SHEET 1.

IF IN DOUBT ASK

DRAWN	CHECKED	APPR'D	SCALE	1:1
HS				
DATE	DATE	DATE	ALL DIMENSIONS ARE IN 'mm' UNLESS STATED.	
19/10/2018				

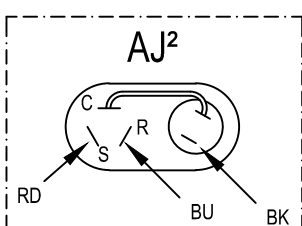
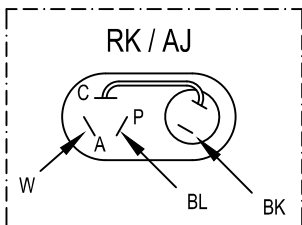
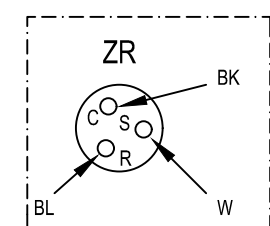
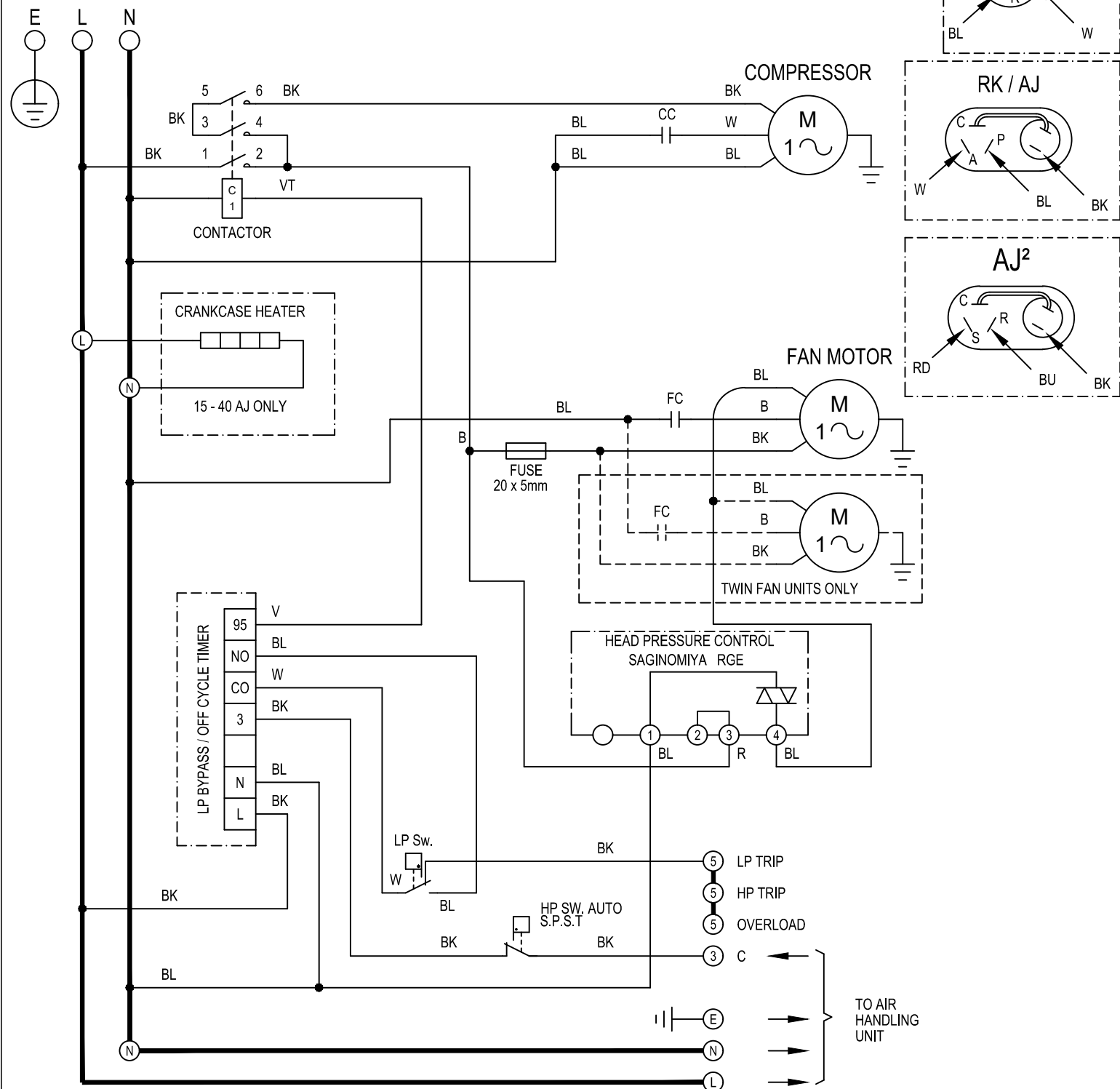


TITLE

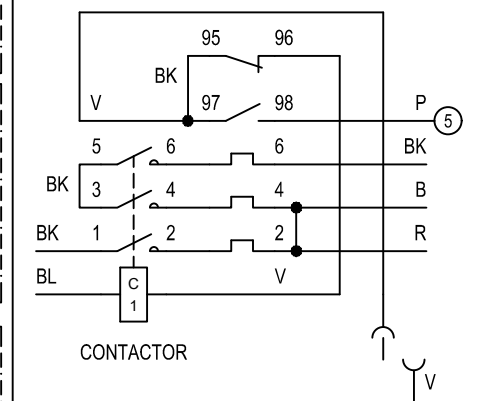
LABEL WIRING DIAGRAM ARTWORK FOR MCU+/CKC 15 - 150 SINGLE PHASE.

DRAWING No.	REV	SHEET
55008263	16	1 OF 1

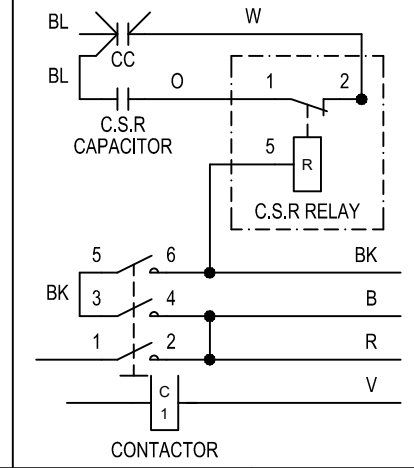
MCU+ / CKC 15 - 150 1PH



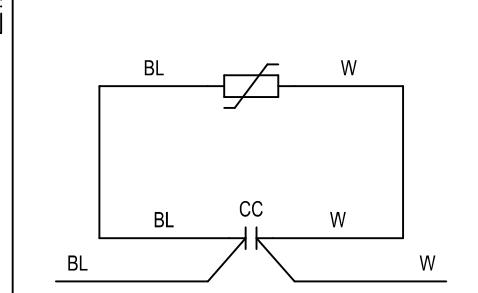
OVERLOAD KIT



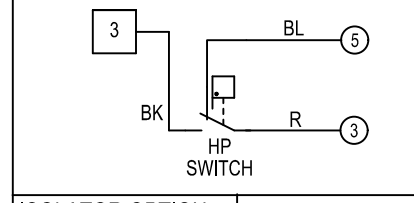
C.S.R KIT 15-40



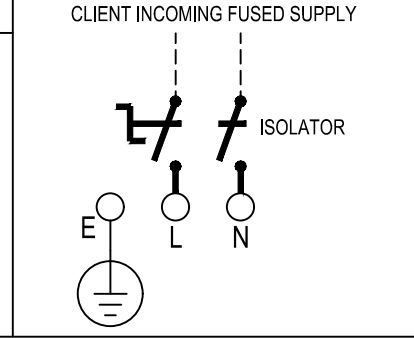
P.T.C KIT 15-40



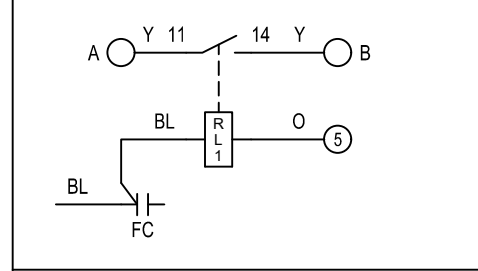
HP KIT MANUAL SPDT



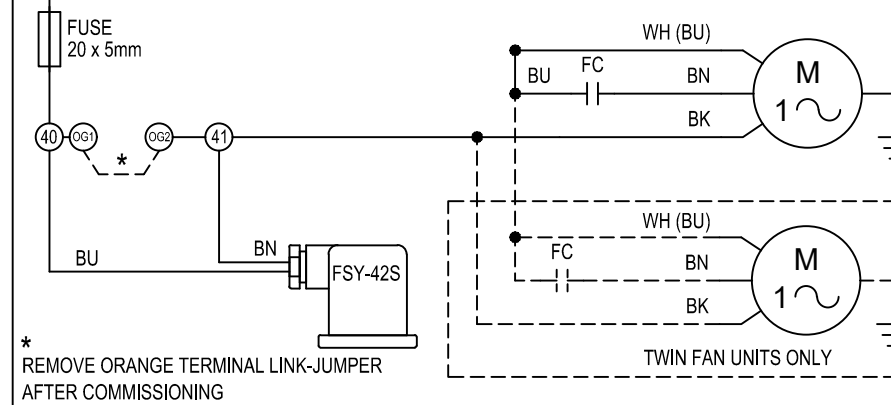
ISOLATOR OPTION



VF RELAY



HEAD PRESSURE CONTROL CARTRIDGE TYPE FSY-42S OR XGE-4C



* REMOVE ORANGE TERMINAL LINK-JUMPER AFTER COMMISSIONING

55008263 16