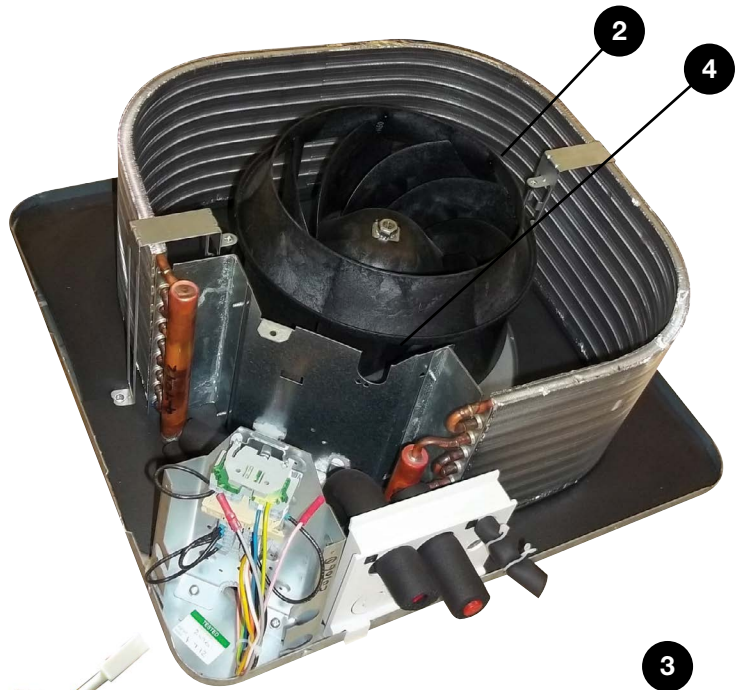
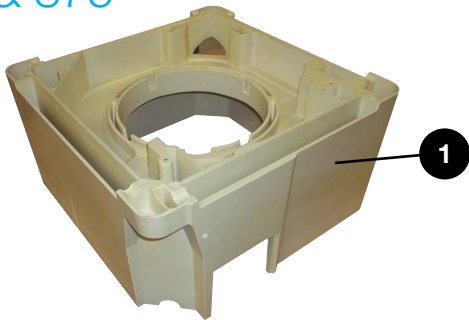
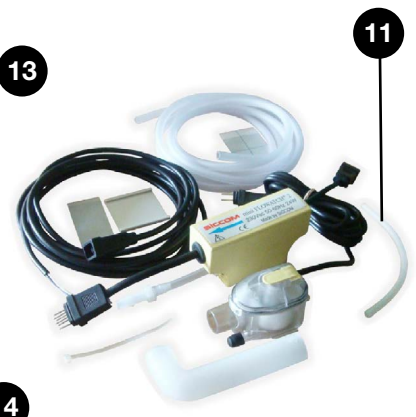
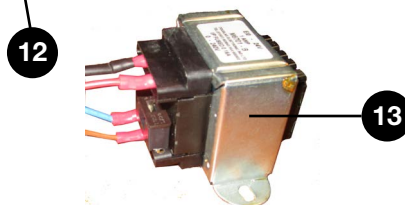
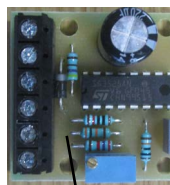
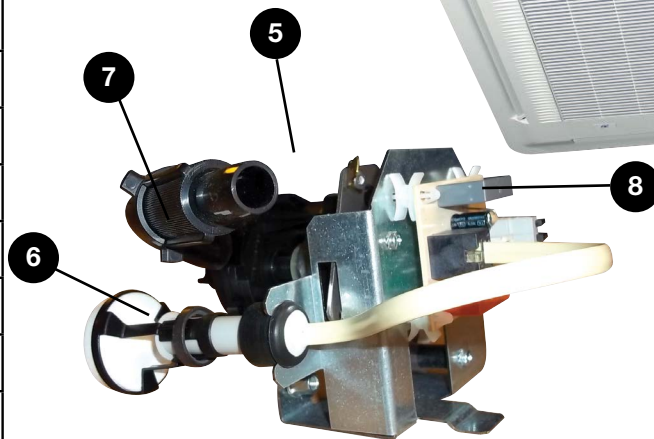
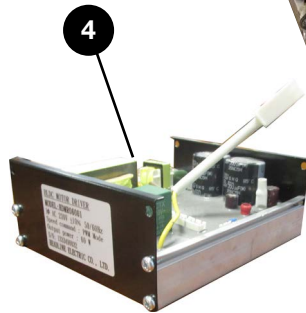


QUARTZ SPARES CWC CASSETTE

Chilled Water Cassettes
600 & 875



1	CHASSIS
2	COIL
3	FASCIA ASSEMBLY
4	FAN ASSEMBLY AC
4	MOTOR CONTROLLER DC
5	LIFT PUMP ASSEMBLY
6	LIFT PUMP FLOAT SWITCH
7	LIFT PUMP
8	LIFT PUMP PCB
9	CONDENSATE PUMP
10	CONDENSATE PUMP PCB
11	CONDENSATE PUMP KIT
12	PWM BOARD ECDC
13	TRANSFORMER ECDC
14	POTENTIOMETER



QUARTZ SPARES **CWC CASSETTE**

Chilled Water Cassettes
600 & 875



QUARTZ CWC CASSETTE

Chilled Water Cassette CWC/H600

CWC/CWCH 600 - 971 SERIES CASSETTE		PART NO.	VERSION	25	45	65	75
GENERAL							
Chassis	Inc. drain tray	55201031S	ALL	•	•	•	•
Chassis	Type 2 units (from S/No.1071995)	97100939S	ALL	•	•	•	•
Pipe Exit Moulding		55200555S	ALL	•	•	•	
Pipe Exit Moulding	Type 2 units (from S/No.1071995)	55500513S	ALL	•	•	•	•
Gravity Drain Adaptor		97101024S	ALL	•	•	•	•
Condensate Drain Plug		04705902S	ALL	•	•	•	•
Suspension Bracket		55201052S	ALL	•	•	•	•
COILS							
Coil Assembly		97100501S	ALL CWC	•			
Coil Assembly	Type 2 units (from S/No.1071995)	97100927S	ALL CWC	•			
Coil Assembly		97100502S	ALL CWC		•		
Coil Assembly	Type 2 units (from S/No.1071995)	97100928S	ALL CWC		•		
Coil Assembly		97100503S	ALL CWC			•	
Coil Assembly	Type 2 units (from S/No.1071995)	97100929S	ALL CWC			•	
Coil Assembly		97100539S	ALL CWCH	•			
Coil Assembly	Type 2 units (from S/No.1071995)	97101994S	ALL CWCH	•			
Coil Assembly		97100540S	ALL CWCH		•		
Coil Assembly	Type 2 units (from S/No.1071995)	97101995S	ALL CWCH		•		
Coil Assembly		97100541S	ALL CWCH			•	
Coil Assembly	Type 2 units (from S/No.1071995)	97101996S	ALL CWCH			•	
Coil Assembly	Type 2 units (from S/No.1071995)	97101307S	ALL CWC				•
FASCIA							
Fascia Assembly		97100531S	CWC & CWCH	•	•	•	•
Fascia Assembly		97100530S	CWC & CWCH	•	•	•	•
Grille		55201015S	ALL	•	•	•	•
Blank Cover	CWC 600	97101062S	CWC & CWCH	•	•	•	•
LED Cover		97101061S	CWC & CWCH	•	•	•	•
Filter		55201023S	ALL	•	•	•	•
Deflector Vane Assembly	Inc. 4 x Vane + Endcap + Bearing	55201039S	ALL	•	•	•	•
Vane Connector		55201016S	ALL	•	•	•	•
Vane Friction Bearing		55201019S	ALL	•	•	•	•
Vane Motor Assembly		53800515S	ALL	•	•	•	•
Vane Return Spring		04100166S	ALL	•	•	•	•
Double Yoke		53405083S	ALL	•	•	•	•
Spider		53405085S	ALL	•	•	•	•
Actuator Arm		55201020S	ALL	•	•	•	•
Vane Bearing		55201018S	ALL	•	•	•	•
FANS & MOTORS							
Cowl Assembly	97100 Series Units	55200659S	ALL	•	•	•	
Fan / Cowl / Motor Assembly	97100 Series Units	55200659S	ALL	•	•	•	
Motor (AC Only)	97122 Series Units	55200658S	ALL	•	•	•	•
Motor (DC Only) + Driver	97122 Series Units	55201330S	ALL	•	•	•	•
Motor Driver	97122 Series Units	55201303S	ALL	•	•	•	•
Fan	97122 Series Units	55200657S	ALL	•	•	•	•
Cowl Assembly	97122 Series Units	55200656S	ALL	•	•	•	•
3µF Capacitor		04400780S	ALL	•	•	•	•

QUARTZ CWC CASSETTE

Chilled Water Cassette CWC/H600

CWC/CWCH 600 - 971 SERIES CASSETTE		PART NO.	VERSION	25	45	65	75
ELECTRICAL							
Fused Terminal		04400773S	ALL	*	*	*	*
Inline Fuse Holder		55201157S	ALL	*	*	*	*
Fuse (160mA) T Rated		484028S	ALL	*	*	*	*
3.15A Fuse (T Rated)	Pack of 10	04401256S	CWC&CWCH	*	*	*	*
5A Fuse	Pack of 10	04400791S	CWCL&CWCL	*	*	*	*
DC Speed Controller (Potentiometer)		48001408S	ALL	*	*	*	*
24V 1A Transformer (ED/DC Only, Supplied with 160mA T Rated Fuse)		486044S	ALL	*	*	*	*
PCBA 0-10V to PWM		97101388S	ALL	*	*	*	*
VALVES							
Valve Condensate Tray	White	97100308	ALL	*	*	*	*
Valve Condensate Tray	2 Units (Black from S/No1071995)	97200304	ALL	*	*	*	*
Drain Tube Moulding		55201076S	ALL	*	*	*	*
Drain Tube Moulding	Type 2 Units (from S/No1071995)	55501047S	ALL	*	*	*	*
ACL Valve + Actuator CW or LP	15mm - 2 port on/off	04000545S	ALL	*	*	*	*
ACL Valve + Actuator CW or LP	15mm - 3 port diverting	OBSOLETE	ALL	*	*	*	*
Honeywell Valve CW	2 Port On/Off	04500052S	ALL	*	*	*	*
Actuator for Honeywell 2 Port Valve		04500051S	ALL	*	*	*	*
Honeywell Valve CW	4 Port Diverting	04500057S	CWC	*	*	*	*
Honeywell Valve CW	4 Port Diverting	04500054S	CWC	*	*	*	*
Honeywell Valve CW	4 Port Diverting	04500057S	CWCH	*	*	*	*
Honeywell Valve CW	4 Port Diverting	04500054S	CWCH	*	*	*	*
Honeywell Valve LPHW	2 Port On/Off	04500052S	CWCH	*	*	*	*
Honeywell Valve LPHW	4 Port Diverting	04500057S	CWCH	*	*	*	*
Actuator for Honeywell 4 Port Diverting Valve		04500050S	ALL	*	*	*	*
0.5M LIFT PUMP - VERSION 1 : GREEN PCB WITH ON BOARD FUSE							
Lift Pump	97100 Series Units	04200709S	ALL	*	*	*	*
Lift Pump PCB	97100 Series Units	04400987S	ALL	*	*	*	*
Float Switch	97100 Series Units	04001003S	ALL	*	*	*	*
Drain Tube Connector		55200567S	ALL	*	*	*	*
Lift Pump Kit		55200340	ALL	*	*	*	*
0.5M LIFT PUMP - VERSION 2 : WHITE PCB WITH IN LINE FUSE							
Lift Pump + Bracket		OBSOLETE	ALL	*	*	*	*
Lift Pump PCB		97101150S	ALL	*	*	*	*
Float Switch		97101153S	ALL	*	*	*	*
Non Return Valve + Hose		97101152S	ALL	*	*	*	*
Lift Pump Complete Assembly		55201300S	ALL	*	*	*	*
CONDENSATE PUMP 5m Head							
Condensate Pump (Sensor is no longer available)		04200710S	ALL	*	*	*	*
Condensate Pump PCB		53701042S	ALL	*	*	*	*
315mA Fuse	Pack of 10	04400814S	ALL	*	*	*	*
Condensate Pump Sensor	Inc. Filter	OBSOLETE	ALL	*	*	*	*
Condensate Pump Sensor Filter Only		OBSOLETE	ALL	*	*	*	*
Condensate Connector		53800531S	ALL	*	*	*	*
Condensate Pump Kit (New Type)		97100476	ALL	*	*	*	*
HEATERS							
Heater Relay (Black Body)		55201158S	CWC ONLY	*	*	*	*
Heater Relay (Clear Body)		04400599S	CWC ONLY	*	*	*	*
Heater Element		55201075S	ALL	*	*	*	*
Heater Cut-Out Assembly	Inc. Thermal Fuse	55200565S	ALL	*	*	*	*

QUARTZ CWC CASSETTE

Chilled Water Cassette

CWC/H875

CWC/CWCH 875 - 972 SERIES CASSETTE		PART NO.	VERSION	95	135	155
GENERAL						
Chassis	Inc. drain tray	55500517S	ALL	•	•	•
Cowl Assembly (inc. grille)	Replaces Grey Cowl Only	55501021S	ALL	•	•	•
Pipe Exit Moulding		55500513S	ALL	•	•	•
Condensate Drain Plug		04705902S	ALL	•	•	•
Suspension Bracket	Units shipped after 01/01/04	55201052S	ALL	•	•	•
COILS						
Coil Assembly		97200500S	CWC e/m & L	•		
Coil Assembly		97200501S	CWC e/m & L		•	
Coil Assembly		97200502S	CWC e/m & L			•
Coil Assembly		97200513S	CWCH e/m & L	•		
Coil Assembly		97200503S	CWCH e/m & L		•	
Coil Assembly		97200504S	CWCH e/m & L			•
FASCIA						
Grille		55501010S	ALL	•	•	•
Filter (2 per pack)		55501090S	ALL	1	1	1
Fascia Assembly		97200534S	e/m(H)	•	•	•
Fascia Assembly		97200535S	E(H) / L(H)	•	•	•
Blank Cover	Marked 'CWC'	97101062S	e/m(H)	•	•	•
LED Cover	Marked 'L'	97101061S	E(H) / L(H)	•	•	•
Deflector Vane	Includes Endcaps	55501031S	ALL	•	•	•
Vane Friction Bearing		55201019S	ALL	•	•	•
Vane Motor Assembly		53800515S	ALL	•	•	•
Vane Connector		55201016S	ALL	•	•	•
Double Yoke		53405083S	ALL	•	•	•
Spider		53405085S	ALL	•	•	•
Actuator Arm		55201020S	ALL	•	•	•
Vane Bearing		55201018S	ALL	•	•	•
FANS AND MOTORS						
Fan Assembly (AC Only)		55500516S	ALL	•	•	•
Motor including Cowl, Capacitor and Guard (AC Only)		55500585S	ALL	•	•	•
Motor (DC Only) + Driver		97201141S	ALL	•	•	•
4µF Capacitor	Also replaces earlier 5µF Capacitor	04400547S	ALL	•	•	•
Motor Mounting Assembly		53800529S	ALL	•	•	•
ELECTRICAL						
Relay	240V - SPDT	04400599S	e/m & e/mH	•	•	•
Fused Terminal Block		04400773S	ALL	•	•	•
Fuse (160mA) T Rated		484028S				
3.15A Fuse T Rated	Pack of 10	04401256S	e/m & e/mH	•	•	•
5A Fuse	Pack of 10	04400791S	L & LH	•	•	•
DC Speed Controller (Potentiometer)		48001408S	ALL	•	•	•
24V 1A Transformer (ED/DC Only, Supplied with 160mA T Rated Fuse)		486044S	ALL	•	•	•
PCBA 0-10V to PWM		97101388S	ALL	•	•	•

QUARTZ CWC CASSETTE

Chilled Water Cassette

CWC/H875

CWC/CWCH 875 - 972 SERIES CASSETTE	PART NO.	VERSION	95	135	155	
0.5M LIFT PUMP - VERSION 1 : GREEN PCB WITH ON BOARD FUSE						
Lift Pump	97200 Series Units	04200709S	ALL	•	•	•
Lift Pump PCB	97200 Series Units	04400987S	ALL	•	•	•
Float Switch	97200 Series Units	04001003S	ALL	•	•	•
Drain Tube Connector		55200567S	ALL	•	•	•
Lift Pump Kit		55200340	ALL	•	•	•
0.5M LIFT PUMP - VERSION 2 : WHITE PCB WITH IN LINE FUSE						
Lift Pump + Bracket		OBSOLETE	ALL	•	•	•
Lift Pump PCB		97101150S	ALL	•	•	•
Float Switch		97101153S	ALL	•	•	•
Non Return Valve + Hose		97101152S	ALL	•	•	•
Lift Pump Complete Assembly	Will also replace complete v1 Assy	55201300S	ALL	•	•	•
VALVES						
Honeywell Valve CW	2 Port On/Off	04500055S	ALL	•	•	•
Honeywell Valve LPHW	2 Port On/Off	04500052S	CWCH	•	•	•
Honeywell Valve CW	4 Port Diverting	04500056S	ALL	•	•	•
Honeywell Valve LPHW	4 Port Diverting	04500054S	CWCH	•	•	•
CONDENSATE PUMP 5m Head						
Condensate Pump		04200710S	ALL	2	2	2
Condensate Pump PCB		53701042S	ALL	•	•	•
315mA Fuse	Pack of 10	04400814S	ALL	•	•	•
Condensate Pump Sensor	Inc. Filter	04401060S	ALL	•	•	•
Condensate Pump Sensor Filter Only		04401045S	ALL	•	•	•
Condensate Connector		53800531S	ALL	•	•	•
Condensate Pump Kit (New Type)		97100476	ALL	•	•	•
HEATERS						
Heater Element	2kW	55501057S	ALL		•	
Heater Element	1kW - price each	55501056S	ALL	•		2
Heater Cut-Out	Inc. Thermal Fuse	55500558S	ALL	•	•	•

QUARTZ CWC CASSETTE

Chilled Water Cassette

L Controls

CWC600 L (971 SERIES) CEILING CASSETTES		
PART DESCRIPTION	PART No.	FURTHER DESCRIPTION
Complete Kit For Units Prior To Serial Number 0963533	97101905S	Complete L Controls Pack
PCB / Receiver / Harness	04401253S	3 components
Return Air Sensor	04001031S	1000mm long
Outdoor Coil Extension	04001032S	
11k ¹ Resistor	04401224S	Colour banded: brown / brown / orange / gold
Indoor Coil resistor	04401223S	
Transformer	04401027S	Suits all controls (old and new)
Remote control handset Kit	55500309	Replaces v1 handsets

¹ Connects to terminals S-S to simulate outdoor coil sensor

CWC875 L (972 SERIES) CEILING CASSETTES		
PART DESCRIPTION	PART No.	FURTHER DESCRIPTION
Complete Kit For Units Prior To Serial Number 0963533	97101905S	Complete L Controls Pack
PCB / Receiver / Harness	04401253S	3 components
Return Air Sensor	04001031S	1000mm long
Outdoor Coil Extension	04001032S	
11k ¹ Resistor	04401224S	Colour banded: brown / brown / orange / gold
Indoor Coil resistor	04401223S	
Transformer	04401027S	Suits all controls (old and new)
Remote control handset Kit	55500309	Replaces v1 handsets

¹ Connects to terminals S-S to simulate outdoor coil sensor