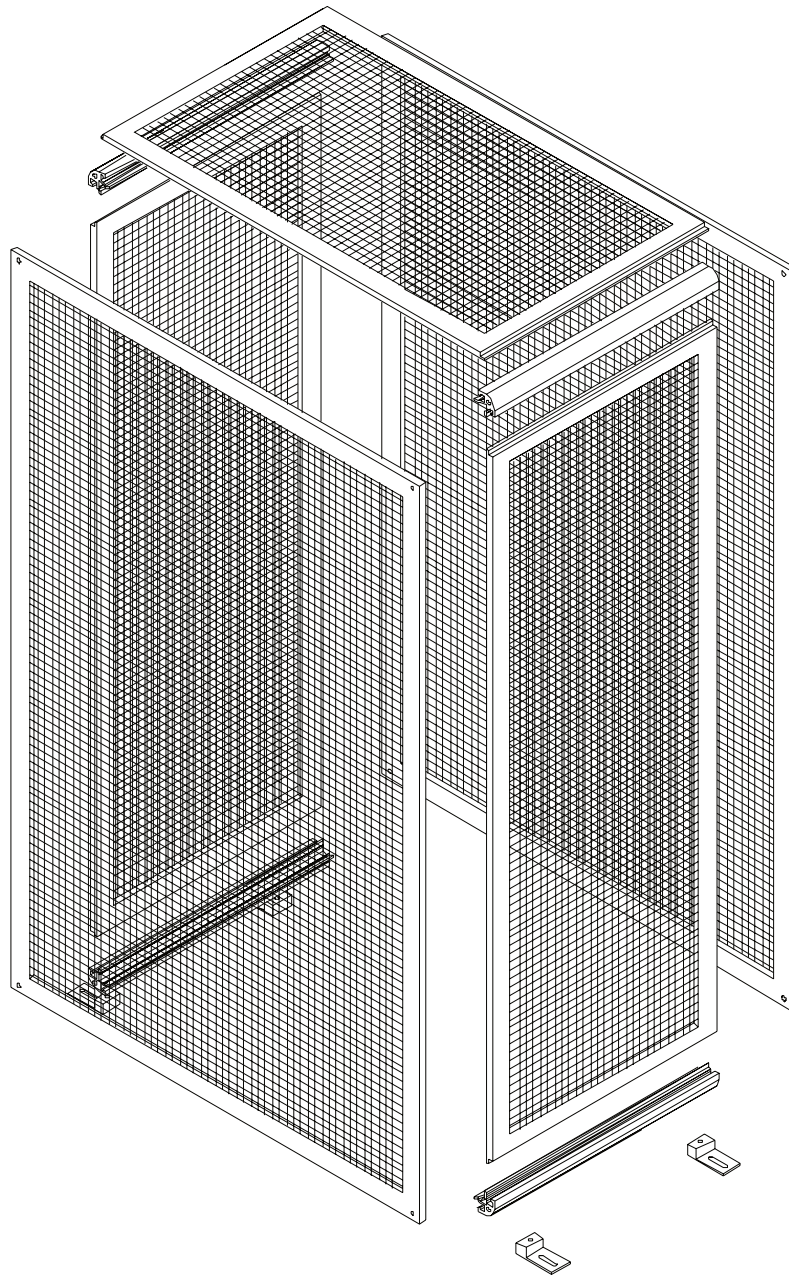




MAD DOG VRF/VRV GUARDS

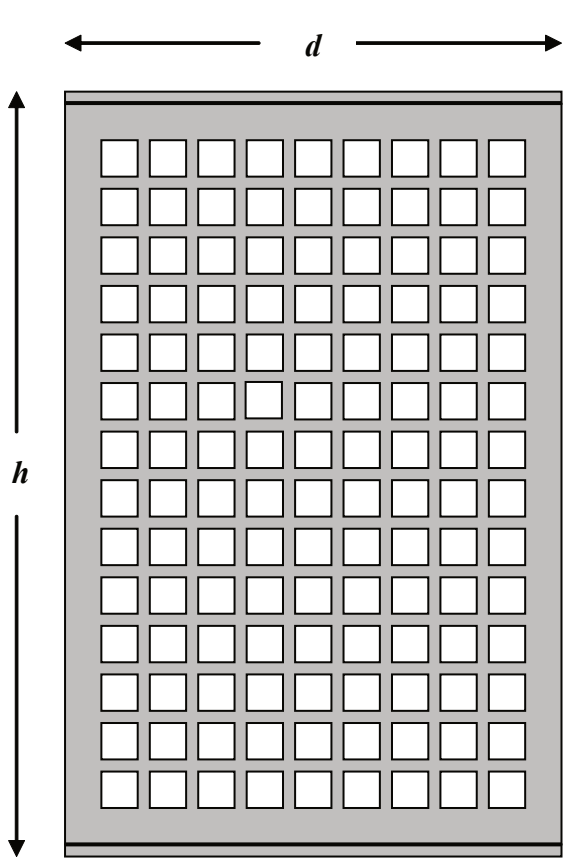


VRF / VRV Unit Guards Installation Instructions

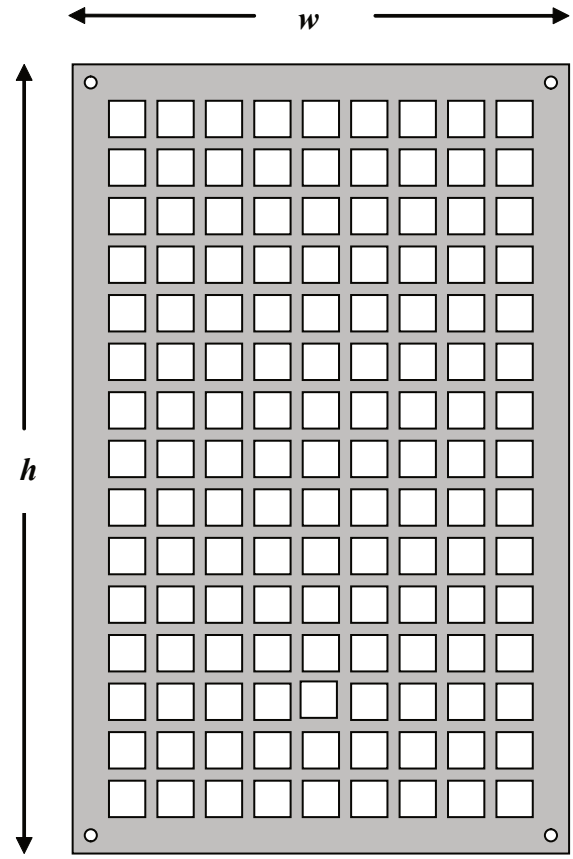
MDG-V-BP (Base Pack)

MDG-V-EP6 & MDG-V-EP12 (Extender Packs)

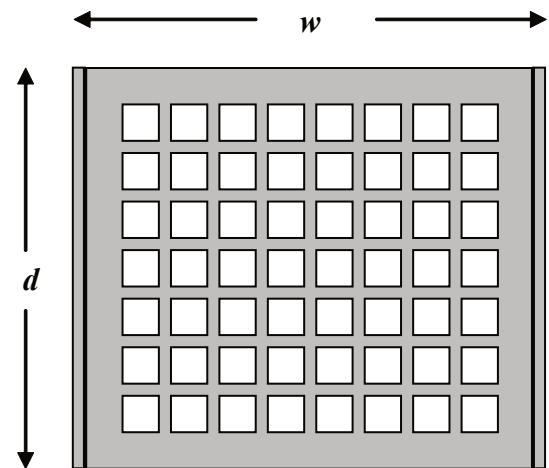
GUARD STRUCTURE COMPONENTS



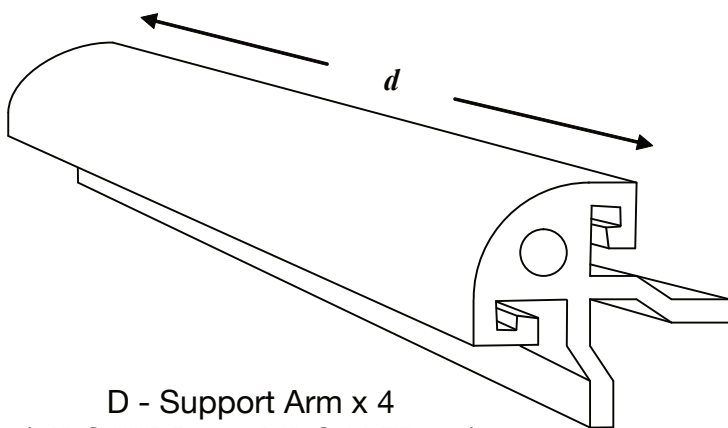
B - Side Panel x 2
(MDG-V-BP x 2, MDG-V-EP x 0)



A - Front / Back Panel x 2

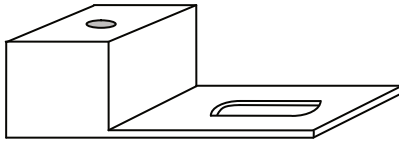


C - Top Panel x 1

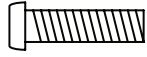


D - Support Arm x 4
(MDG-V-BP x 4, MDG-V-EP x 2)

FIXINGS - MDG-V-BP (BASE PACK)



E - Mounting Foot x 4



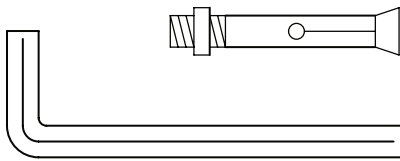
H - M8 x 20mm Hexagon-Headed Bolt x 8



I - Spring Washer x 8



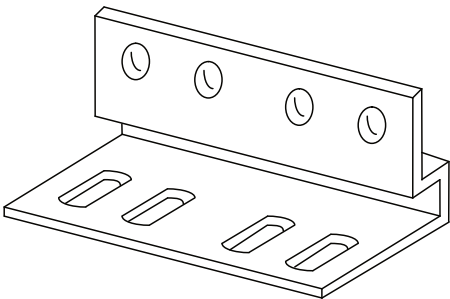
J - M6 Allen-Headed Bolt x 4



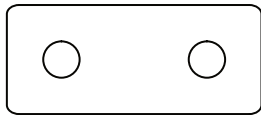
K - Floor Anchor Bolt x 4

L - Allen Key x 1

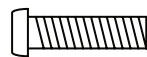
FIXINGS - MDG-V-EP6 & MDG-V-EP12 (EXTENDER PACKS)



F - Mounting Brackets x 2



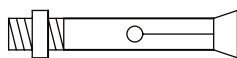
G - Front Support Brackets x 4



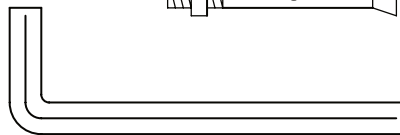
H - M8 x 20mm Allen-Headed Bolt x 20



I - Spring Washer x 20

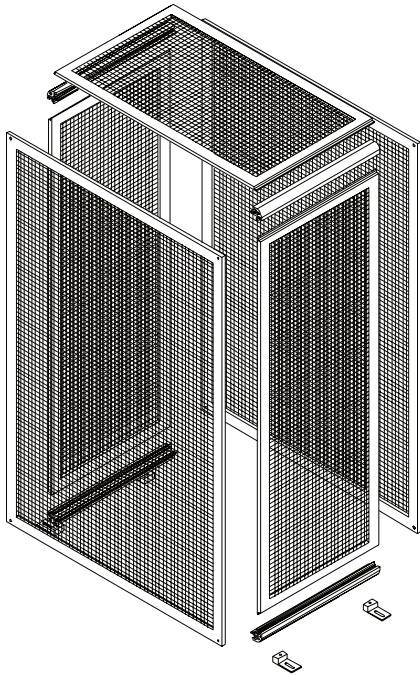


K - Floor Anchor Bolt x 4

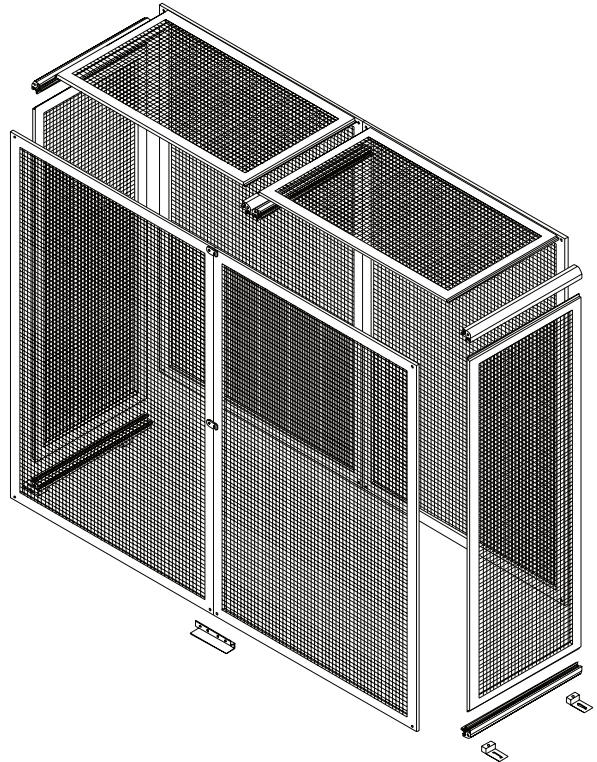


L - Allen Key x 1

COMPONENTS



MDG-V-BP (BASE PACK)



MDG-V-EP12 (EXTENDER PACK)

LIST OF COMPONENTS - BASE PACK

Item	Qty	Description	Dimensions (mm)		
			<i>h</i>	<i>w</i>	<i>d</i>
A	2	Front / Back Panel	2000	1160	
B	2	Side Panel	2000		1200
C	1	Top Panel		1160	1200
D	4	Support Arm			1200
E	4	Mounting Foot			
H	8	M8 x 20mm Allen-Headed Bolt			
I	8	Spring Washer			
J	4	M6 Hexagon-Headed Bolt			
K	4	Floor Anchor Bolt			
L	1	Allen Key			

LIST OF COMPONENTS - EXTENDER PACKS

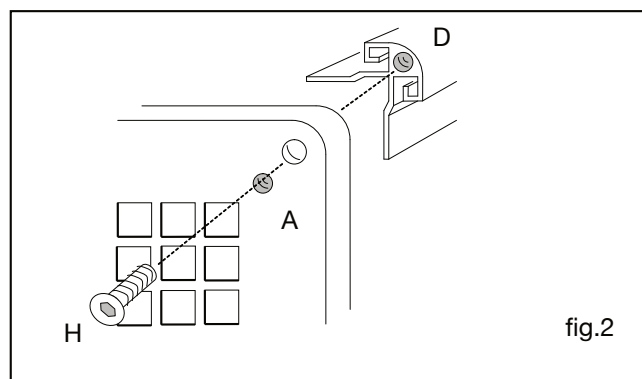
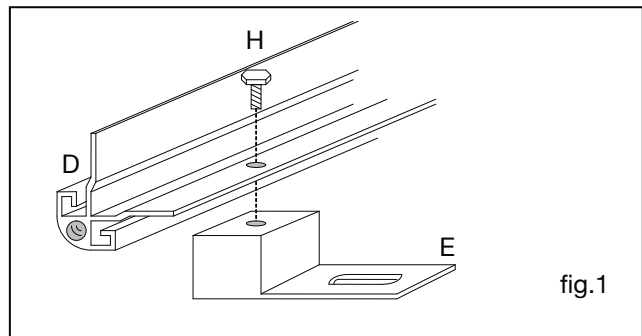
Item	Qty	Description	MDG-V-EP6 Dimensions (mm)			MDG-V-EP12 Dimensions (mm)		
			<i>h</i>	<i>w</i>	<i>d</i>	<i>h</i>	<i>w</i>	<i>d</i>
A	2	Front / Back Panel	2000	580		2000	1160	
C	1	Top Panel		580	1200		1160	1200
D	2	Support Arm			1200			1200
F	2	Mounting Bracket						
G	4	Front Panel Support Bracket						
H	20	M8 x 20mm Allen-Headed Bolt						
I	20	Spring Washer						
K	4	Floor Anchor Bolt						
L	1	Allen Key						

GUIDANCE ON INSTALLATION

1. This product should be fitted by a fully-trained installer of refrigeration or air conditioning equipment.
2. This product is designed for use with all makes of VRF / VRV outdoor unit. Ensure that the guard you have ordered is the correct size for your condensing unit.
3. The purpose of this product is to protect the VRF unit against reasonable levels of vandalism and accidental damage.
4. Whilst this product is sufficiently robust for its purpose, it is not designed to be load-bearing, and should not be used to support excessively heavy items.
5. Where possible, this product should be installed at the same time as the VRF unit.
6. Where a guard is fitted retrospectively, the location of supply services may hinder installation, and it is expected that parts of the guard structure may have to be removed in order to facilitate the installation. In these cases, care must be taken to ensure that the rigidity of the structure is not compromised.

BASE PACK ASSEMBLY

1. Fix the four mounting feet (E) to two of the support arms (D) using the M6 bolts (J). The feet are reversible, allowing the floor fixings to be located inside or outside the guard. (fig.1)
2. Fix the four support arms (D) to the back panel (A) using four of the allen-head bolts (H). Ensure that the support arms fitted with the mounting feet (Step.1) are fitted to the bottom of the back panel. (fig.2)
3. Slide the two side panels (B) and the top panel (C) into the support arms (D).
4. Fit the front panel (A) to the support arms (D) using four Allen-head bolts (H). The guard is now ready to be secured to the floor via the holes in the mounting feet. (fig.2)



EXTENDER PACK ASSEMBLY

1. Assemble the BASE PACK as instructed previously, except do not fit one of the bottom support arms (D) in step 2. Also do not fit one of the side panels (B) in step 3.
2. Fix the two support arms (D) to the top corners of the back panel (A) and fix the bottom support arm (D) removed from the BASE PACK to one bottom corner of the back panel. (fig.2)
3. Fit the front panel (A) to the support arms (D) using the Allen-head bolts (H). (fig.2)
4. Join the bottom corners of the front and back panels (A) together using the two mounting brackets (F), and four of the M8 bolts (H). (fig.3)
5. Join the middle and the top corners of the front and back panels (A) using the support brackets (G) and the remaining M8 bolts (H).

For installations of multiple VRV / VRF units, continue to add extender packs as required, excluding one side panel and one bottom support arm from the structure until the final extender pack is installed.

These floor-mounting guards provide a complete barrier around the VRF / VRV unit(s). Therefore, it is expected that some part of the guard will need to be cut out to enable access of refrigerant pipes and power cables. Care should be taken when doing this to ensure that the rigidity of the guard structure is compromised as little as possible.

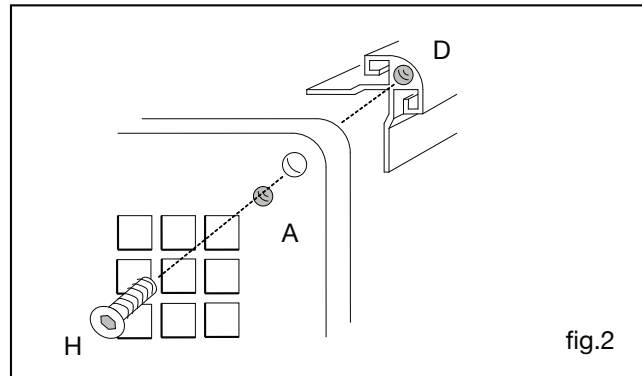


fig.2

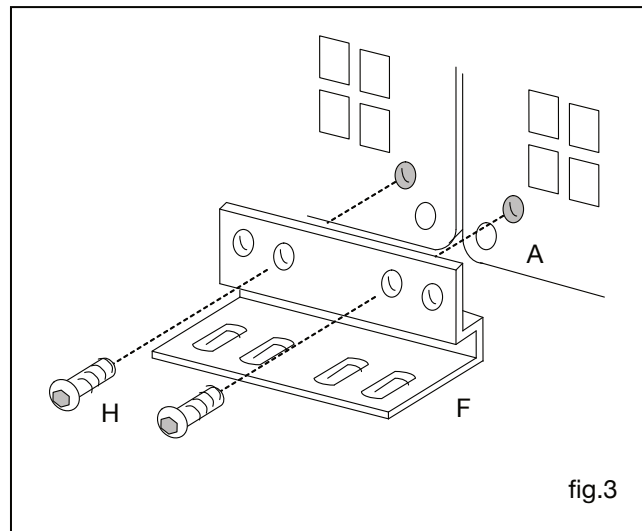


fig.3



Heronhill Air Conditioning Ltd

Summerfield Way, Chelston Business Park, Wellington, Somerset TA21 9JE

01823 665 660 info@heronhill.co.uk heronhill.co.uk