

DBKH Duct Humidistats

DBKH humidistats measure relative duct humidity, and are available in one stage or two stage variants.

Room humidity setpoint is available for adjustment by a knob.

The units are well-suited in domestic, commercial and industrial areas for the large variety of applications in the air conditioning field.

Features

- Relative Humidity Control in Buildings, Swimming Pools, Greenhouses, Warehouses
- Available in Single Stage or Two Stage Variants
- Easy-to-adjust Setpoint
- Knob under cover available on request (special order)

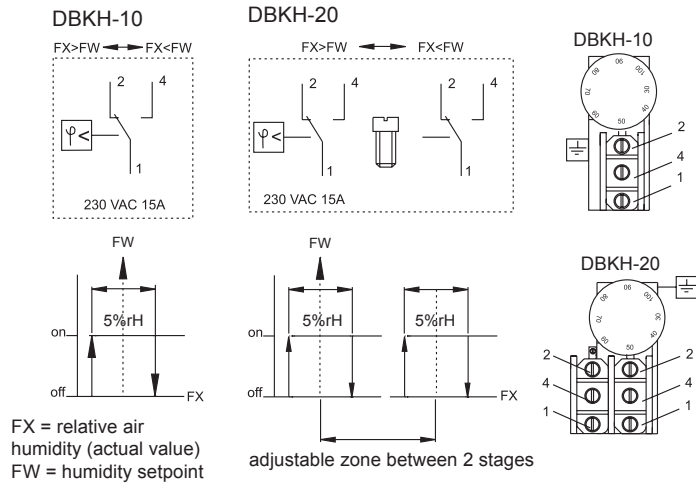


Model Type	Model	Description
	DBKH-10	Single Stage Duct Humidistat
	DBKH-20	Two Stage Duct Humidistat, Differential Between Stages 3..18% rH
Technical Data	Sensing Element	Several synthetic fabric bands
	Range	30..100% rH
	Switching Differential	5% rH
	Differential Between Stages (DBKH-20)	3..18% rH
	Switching Contacts	Dust tight microswitches with SPDT contacts
	Switching Capacity	15(8) A 24..250Vac
	Ambient Temp	-10..+60°C
	Storage Temp	-20..+70°C
	Temp Coeff	-0.2% rH/K @ 20°C
	Max Air Velocity	8 m/s
	T _{0.5} @ 2 m/s	1.2 min
	Housing Material	ABS
	Mat	Tube
Protection Class		IP65 Class I
Dimensions		W108 x H70 x D72 mm

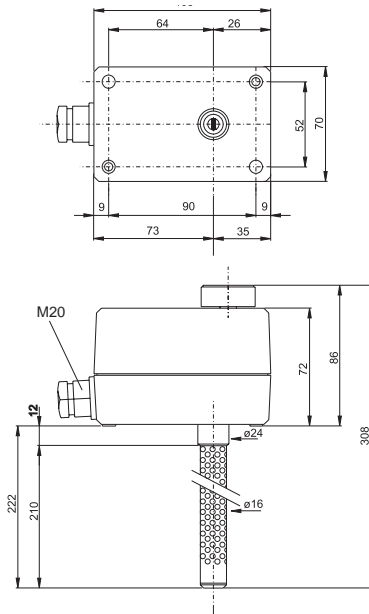
DBKH5 @ 5 HCB 5 B8 K F B;

The humidistats must not come into direct contact with water and should be exposed to the air flow.
Not suitable for aggressive media.

The contacts 1 - 2 close and 1 - 4 open when the relative air humidity drops below the set point (see figure below).



DIMENSIONS



Heronhill Air Conditioning Limited
Summerfield Way, Chelston Business Park, Wellington TA21 9JE
Tel: 01823 665660 Fax: 01823 665807
info@heronhill.co.uk www.heronhill.co.uk